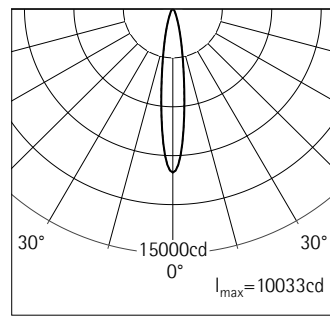
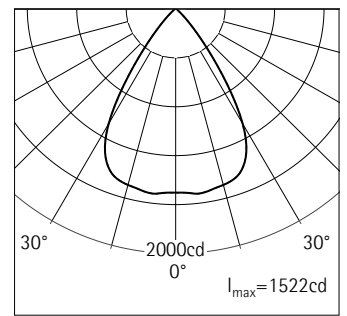


**A9000125** White (RAL9002)  
 LED module: 19.6W 2463lm 3000K warm white  
 Casambi Bluetooth Version 1  
 Construction size M  
 Zoom lens spot

**Product description**  
 Cylindrical light head: cast aluminium, powder-coated. 270° tilt.  
 Housing: polymer, rotatable on adapter through 360°.  
 Minirail adapter for ERCO Minirail 48V track: polymer, white.  
 ERCO Casambi control gear.  
 LED module: high-power LEDs.  
 Collimating lens made of optical polymer.  
 Lens unit: polymer, white.  
 Anti-reflective zoom lens made of optical polymer, infinitely variable focus.  
 Install the luminaire out of people's normal reach.  
 Control via Casambi app (Android/iOS) with Bluetooth Low Energy (BLE)-capable mobile devices or "Casambi Ready" products.  
 Safety class III  
 Weight 0.57kg



h(m)	E(lx)	D(m)
		15.1°
1.0	10032	0.26
2.0	2508	0.53
3.0	1115	0.79
4.0	627	1.06
5.0	401	1.32



h(m)	E(lx)	D(m)
		67.0°
1.0	1503	1.32
2.0	376	2.65
3.0	167	3.97
4.0	94	5.30
5.0	60	6.62

**Technical data**

Luminous flux of the luminaire	1608lm
Connected load	20.8W
Luminaire efficacy	77lm/W
Colour deviation	1.5 SDCM
Colour rendition index	CRI 92
Lumen maintenance	L90/B10 >50000h L90 >100000h
LED failure rate	0.1% >50000h
Dimming range	1%-100%
Dimming method	CCR
TLA (Temporal Light Artefacts)	SVM ≤ 0.1; PstLM ≤ 1
LMF	E
Standby power per control gear	0.4W
Luminaires per circuit breaker B16	--



**DALI controllable via accessory**  
 DALI Casambi Gateway for controlling Casambi Bluetooth via DALI.



**Mounting**  
 Minirail 48V track  
 Minirail 48V singlet

## Planning data

### Melanopic light effect

Art. no.	Spectrum	MR	MDER
A9000125 (direct)	3000K CRI 92	0.53	0.48

MR Melanopic factor (of luminous radiation)  $a_{mel,v}$   
 MDER Melanopic Daylight Efficacy Ratio  $[\gamma]_{mel,v,D65}$

Multiplying the illuminance with the melanopic daylight efficacy ratio MDER gives the melanopic equivalent daylight illuminance MEDI. (MEDI Melanopic Equivalent Daylight Illuminance  $[lx] E_{v, mel, D65} [lx]$ ).

### Extract from the Environmental Product Declaration (EPD)

The entire EPD can be found at: [www.ercos.com/A9000125](http://www.ercos.com/A9000125)

Extrapolation coefficients to convert the reference data from the EPD document for the declared unit

Lighting output	Manufacturing	Distribution	Installation	Use	EoL	Benefits and loads
1484	2.592	1.397	1	1.825	1.723	2.592

Frequently used EPD data that have already been converted for this article number.

Parameter	Unit	A1-A3	A4	A5	B6	C1	C2	C3	C4	D	Total, excl. D
Results per functional unit											
GWP	kg CO2-eq.	8.80E00	7.44E-02	1.45E-01	1.49E02	0.00E00	2.16E-03	1.84E-01	2.05E-03	-1.50E-01	1.58E02
GWP-biogenic	kg CO2-eq.	-3.62E-01	0.00E00	1.39E-01	0.00E00	0.00E00	0.00E00	0.00E00	0.00E00	0.00E00	-2.23E-01
Results per declared unit											
GWP	kg CO2-eq.	2.80E01	2.37E-01	4.62E-01	4.73E02	0.00E00	6.87E-03	5.86E-01	6.50E-03	-4.80E-01	5.02E02
GWP-biogenic	kg CO2-eq.	-1.15E00	0.00E00	4.43E-01	0.00E00	0.00E00	0.00E00	0.00E00	0.00E00	0.00E00	-7.07E-01

A1-A3 Manufacturing  
 A4 Distribution  
 A5 Installation  
 B6 Use  
 C1-C4 End of Life  
 D Benefits and loads

The data for operating the light (Use B6) refer to the European power source mix. You will find the ERCO EPD Help under Downloads/General planning data.

Cleaning (a) Ambient conditions	1				2				3			
	P	C	N	D	P	C	N	D	P	C	N	D
LMF	0.96	0.94	0.90	0.86	0.93	0.91	0.86	0.81	0.92	0.90	0.84	0.79

Hours of operation (h)	1000	5000	10000	20000	30000	40000	50000
	LLMF	1.00	0.99	0.98	0.96	0.94	0.92
LSF	1	1	1	1	1	1	1

MF LMFxRSMFxLLMFxLSF  
 MF Maintenance Factor  
 LMF Luminaire Maintenance Factor  
 RSMF Room Surface Maintenance Factor  
 LLMF Lamp Lumens Maintenance Factor  
 LSF Lamp Survival Factor  
 P Room pure  
 C Room clean  
 N Room normal  
 D Room dirty

### Data according to regulations

2019/2020/EU supplemented by 2021/341/EU and 2019/2015/EU supplemented by 2021/340/EU Energy Consumption Labelling Ordinance

This product contains a light source of efficiency class E  
 Due to thermal and photometric properties as well as to protect electronic components from ESD (electrostatic discharge) the light source cannot be changed by the customer.

ID EPREL: 1784571  
 Model identifier: 3000068535  
 Download data sheets for control gear and disassembly instructions at [www.ercos.com/slr](http://www.ercos.com/slr)

## Planning data

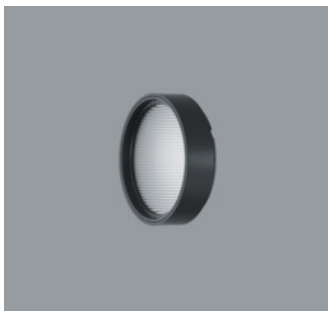
### Technical data in accordance with international norms and standards

IEC 60598	Luminaires – Part 1+2: general requirements, specific requirements and tests
IEC 62031	LED modules for general lighting – safety requirements
IEC 62471	Photobiological safety of lamps and lamp systems
EN 13032-4	Light and lighting – measurement and representation of photometric data
CIE 13	Method of measuring and specifying colour rendering properties of light sources

All technical data is subject to industry-standard tolerances.  
Also see [www.erco.com/erco-led](http://www.erco.com/erco-led)

For explanations of the symbols and abbreviations used and other general information, see [www.erco.com/symbols](http://www.erco.com/symbols)

## Accessories



**AC002074**  
 Lens unit spot  
 Polymer, black lacquered, rotatable through 360°. Replacement without tools.  
 Spherolit lens made of optical polymer.  
 Weight 0.07kg  
**CE**



**AC002075**  
 Lens unit extra wide flood  
 Polymer, black lacquered, rotatable through 360°. Replacement without tools.  
 Spherolit lens made of optical polymer.  
 Weight 0.07kg  
**CE**



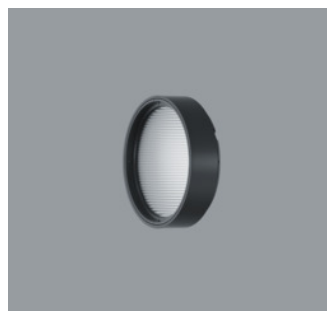
**AC002109**  
 Lens unit spot  
 Polymer, white, rotatable through 360°. Replacement without tools.  
 Spherolit lens made of optical polymer.  
 Weight 0.07kg  
**CE**



**AC002110**  
 Lens unit extra wide flood  
 Polymer, white, rotatable through 360°. Replacement without tools.  
 Spherolit lens made of optical polymer.  
 Weight 0.07kg  
**CE**



**AC002072**  
 Lens unit flood  
 Polymer, black lacquered, rotatable through 360°. Replacement without tools.  
 Spherolit lens made of optical polymer.  
 Weight 0.07kg  
**CE**



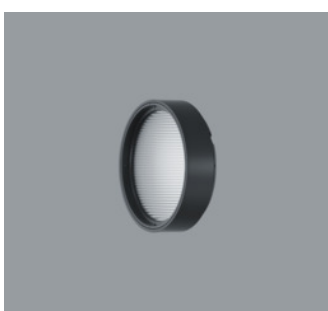
**AC002073**  
 Lens unit oval flood  
 Polymer, black lacquered, rotatable through 360°. Replacement without tools.  
 Spherolit lens made of optical polymer.  
 Weight 0.07kg  
**CE**



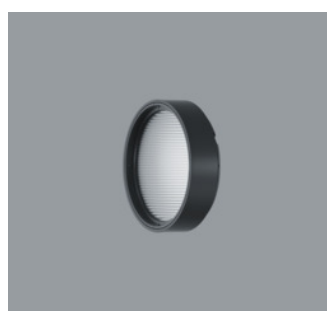
**AC002106**  
 Lens unit flood  
 Polymer, white, rotatable through 360°. Replacement without tools.  
 Spherolit lens made of optical polymer.  
 Weight 0.07kg  
**CE**



**AC002108**  
 Lens unit oval flood  
 Polymer, white, rotatable through 360°. Replacement without tools.  
 Spherolit lens made of optical polymer.  
 Weight 0.07kg  
**CE**



**AC002071**  
 Lens unit wide flood  
 Polymer, black lacquered, rotatable through 360°. Replacement without tools.  
 Spherolit lens made of optical polymer.  
 Weight 0.07kg  
**CE**



**AC002077**  
 Lens unit wallwash  
 Polymer, black lacquered, rotatable through 360°. Replacement without tools.  
 Spherolit lens made of optical polymer.  
 Weight 0.07kg  
**CE**



**AC002105**  
 Lens unit wide flood  
 Polymer, white, rotatable through 360°. Replacement without tools.  
 Spherolit lens made of optical polymer.  
 Weight 0.07kg  
**CE**



**AC002112**  
 Lens unit wallwash  
 Polymer, white, rotatable through 360°. Replacement without tools.  
 Spherolit lens made of optical polymer.  
 Weight 0.07kg  
**CE**

## Accessories



**AC002119**  
 Lens unit zoom spot  
 Polymer, black lacquered, rotatable through 360°. Replacement without tools.  
 Anti-reflective zoom lens made of optical polymer, infinitely variable focus.  
 Weight 0.09kg  
**CE**



**AC006001**  
 Softening lens  
 Filter holder: polymer, black, rotatable through 360°. Replacement without tools.  
 Weight 0.07kg



**AC002130**  
 Lens unit zoom spot  
 Polymer, white, rotatable through 360°. Replacement without tools.  
 Anti-reflective zoom lens made of optical polymer, infinitely variable focus.  
 Weight 0.09kg  
**CE**



**AC006026**  
 Sculpture lens  
 Filter holder: polymer, black, rotatable through 360°. Replacement without tools.  
 Weight 0.07kg



**AC002257**  
 Lens unit narrow framing  
 Aluminium/polymer, coated white, pivotable through 360°. Replacement without tools.  
 Projection lens, continuously focusable. Ideal for long projection distances.  
 Framing attachment: stainless steel, black.  
 Aperture.  
 Weight 0.55kg  
**CE**



**AC001003**  
 Snoot  
 Polymer, black, coated white on outside.  
 Weight 0.04kg



**AC002262**  
 Lens unit narrow framing  
 Aluminium/polymer, coated black, pivotable through 360°. Replacement without tools.  
 Projection lens, continuously focusable. Ideal for long projection distances.  
 Framing attachment: stainless steel, black.  
 Aperture.  
 Weight 0.55kg  
**CE**



**AC001011**  
 Snoot  
 Polymer, black.  
 Weight 0.04kg



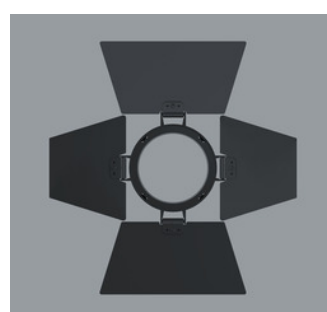
**AC002260**  
 Lens unit wide framing  
 Aluminium/polymer, coated white, pivotable through 360°. Replacement without tools.  
 2 projection lenses, continuously focusable. Ideal for short projection distances.  
 Framing attachment: stainless steel, black.  
 Aperture.  
 Weight 0.55kg  
**CE**



**AC004025**  
 Honeycomb anti-glare screen  
 Black  
 Weight 0.06kg

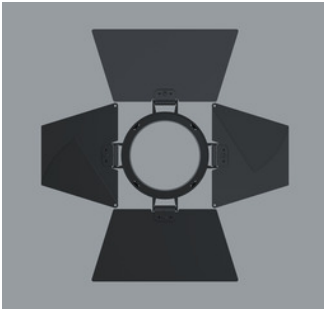


**AC002265**  
 Lens unit wide framing  
 Aluminium/polymer, coated black, pivotable through 360°. Replacement without tools.  
 2 projection lenses, continuously focusable. Ideal for short projection distances.  
 Framing attachment: stainless steel, black.  
 Aperture.  
 Weight 0.55kg  
**CE**



**AC005001**  
 Barn doors 4-fold  
 Aluminium, coated black.  
 Weight 0.13kg

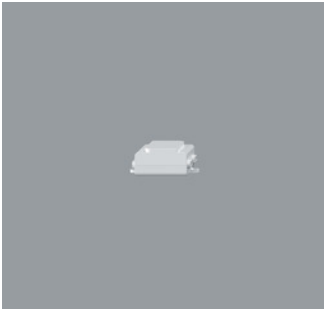
## Accessories



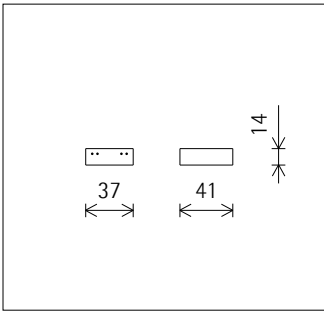
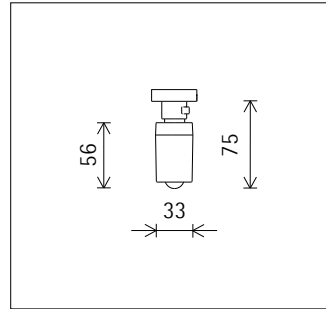
**AC005003**  
Barn doors 8-fold  
Aluminium, coated black.  
Weight 0.16kg



**56012.000**  
ERCO Casambi motion detector with light sensor  
Black (RAL9011).  
Setup via Casambi app (Android/iOS) with Bluetooth Low Energy (BLE)-capable mobile devices.  
Use for daylight-dependent light control with or without motion detector.  
Detection range of infrared (PIR) sensor 100°/ 5m. At 3m room height, this is a circle with diameter of approx. 7m.  
Minirail adapter for ERCO Minirail 48V track: polymer, black.  
Weight 0.05kg  
**CE**



**AC007001**  
DALI Casambi Gateway  
Enables DALI systems to be connected to luminaires, sensors and control units with Casambi Bluetooth. The gateway can only be operated in Evolution networks. Power is supplied exclusively via the DALI bus. Connection via two lines which must be designed for mains voltage. The gateway requires no DALI addresses, the devices appear as non-configured devices in the DALI system. Addressing/commissioning is performed via the DALI control. It can individually control 64 devices, and via the broadcast command up to 249 devices.  
This article is identical with article 55251.



**CE**



**56011.000**  
ERCO Casambi motion detector with light sensor  
White (RAL9002).  
Setup via Casambi app (Android/iOS) with Bluetooth Low Energy (BLE)-capable mobile devices.  
Use for daylight-dependent light control with or without motion detector.  
Detection range of infrared (PIR) sensor 100°/ 5m. At 3m room height, this is a circle with diameter of approx. 7m.  
Minirail adapter for ERCO Minirail 48V track: polymer, white.  
Weight 0.05kg  
**CE**

