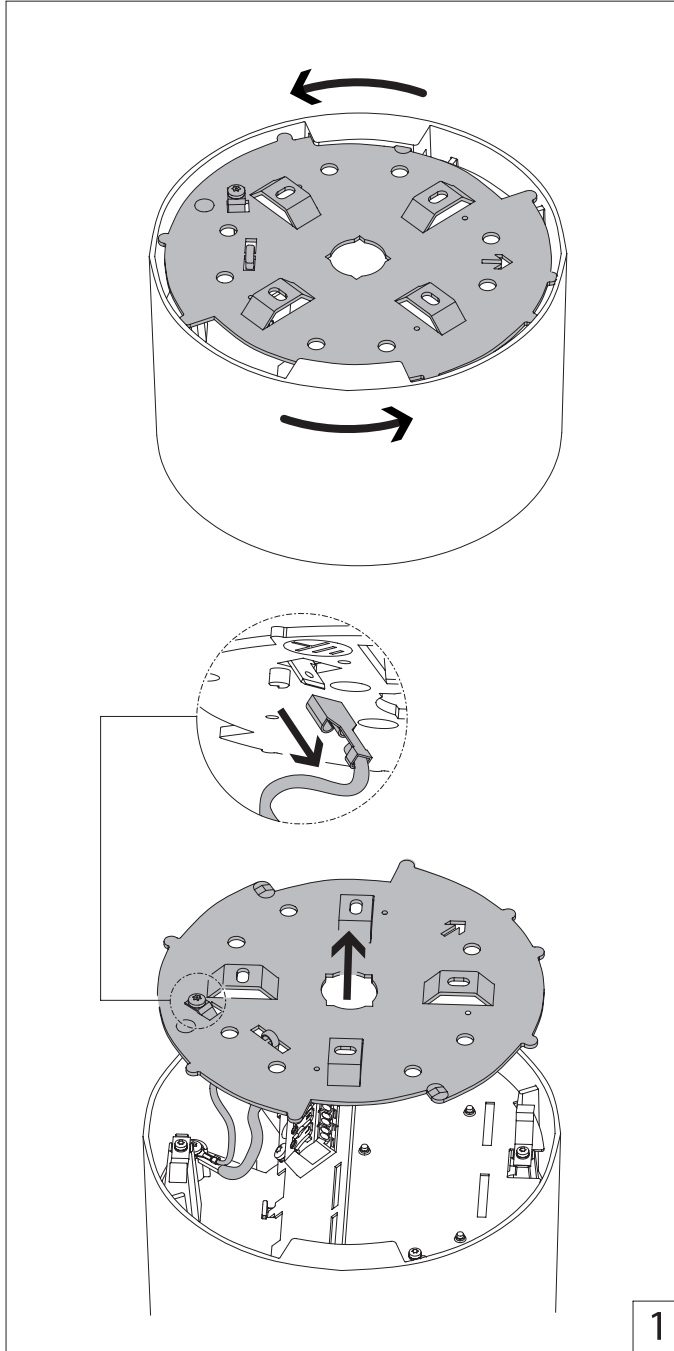


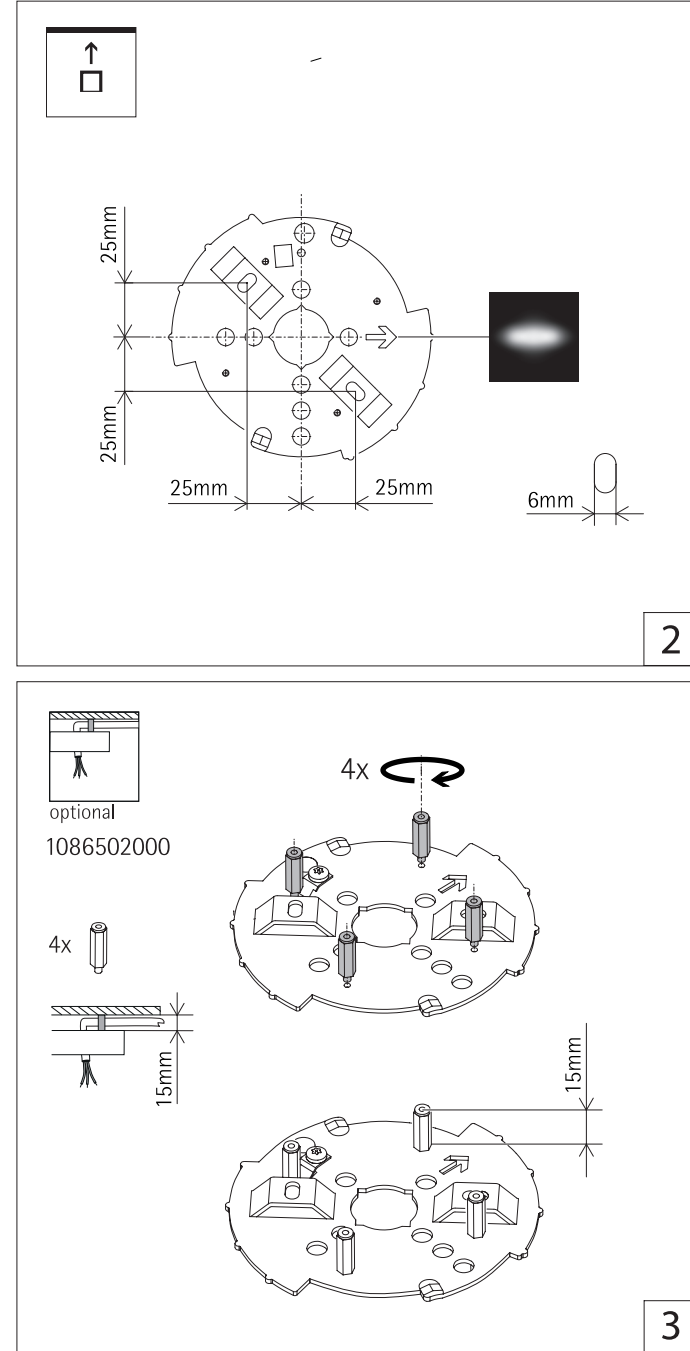
Skim Surface-mounted downlight

Mounting instructions

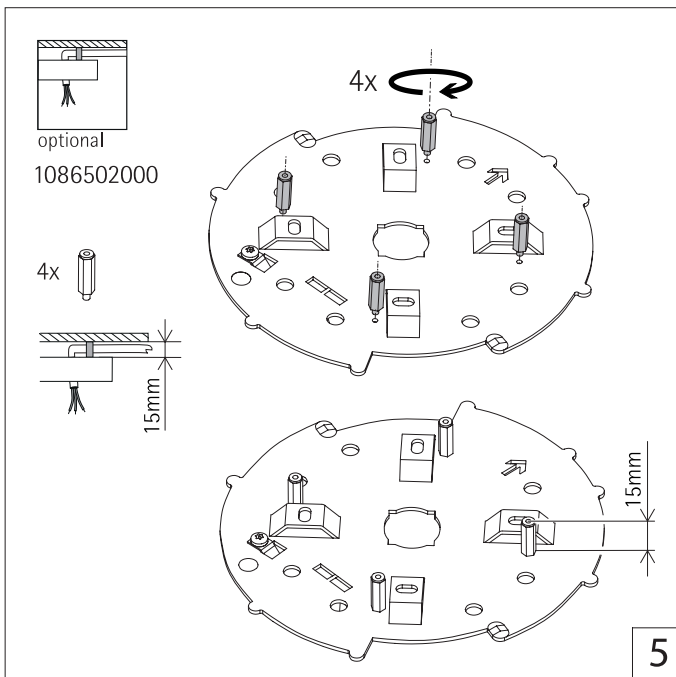
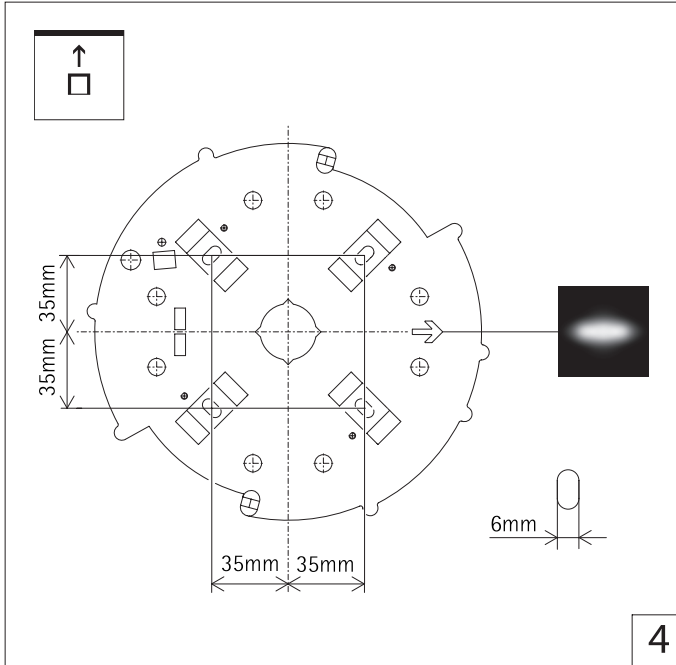
Surface-mounted downlight Surface-mounted downlight oval flood



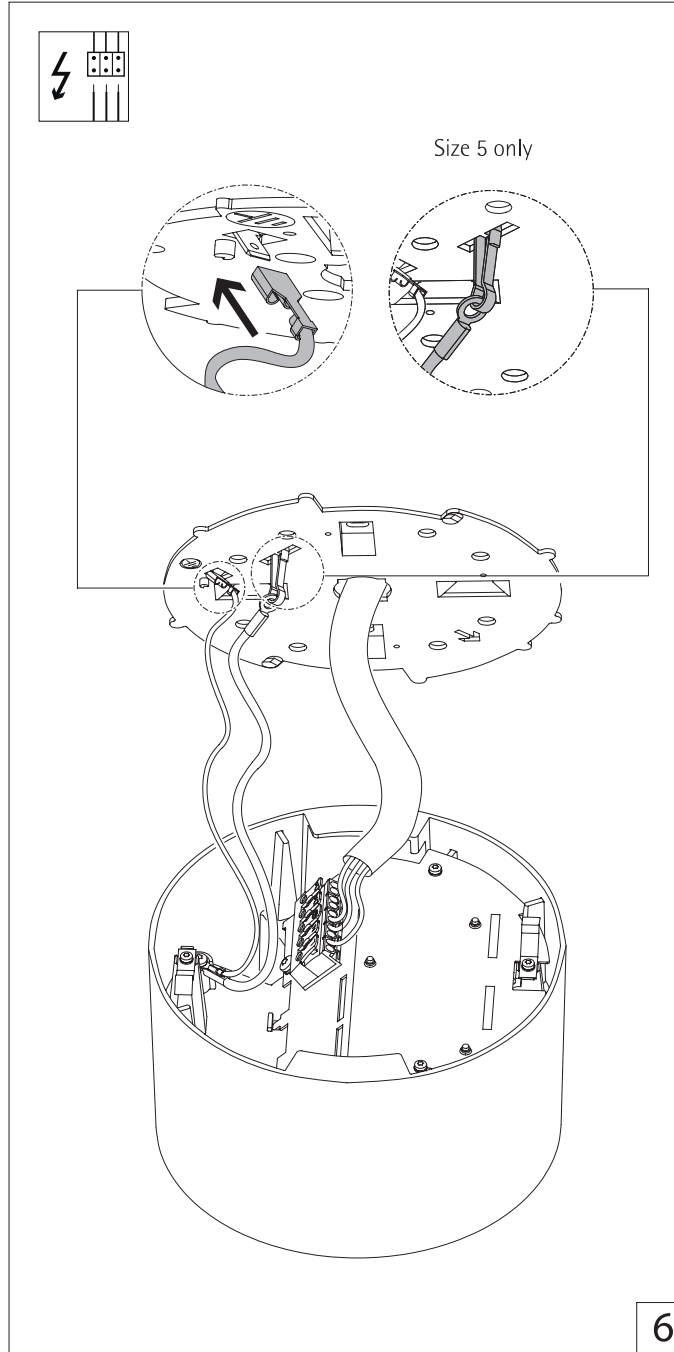
Size 3 Surface-mounted downlight Surface-mounted downlight oval flood



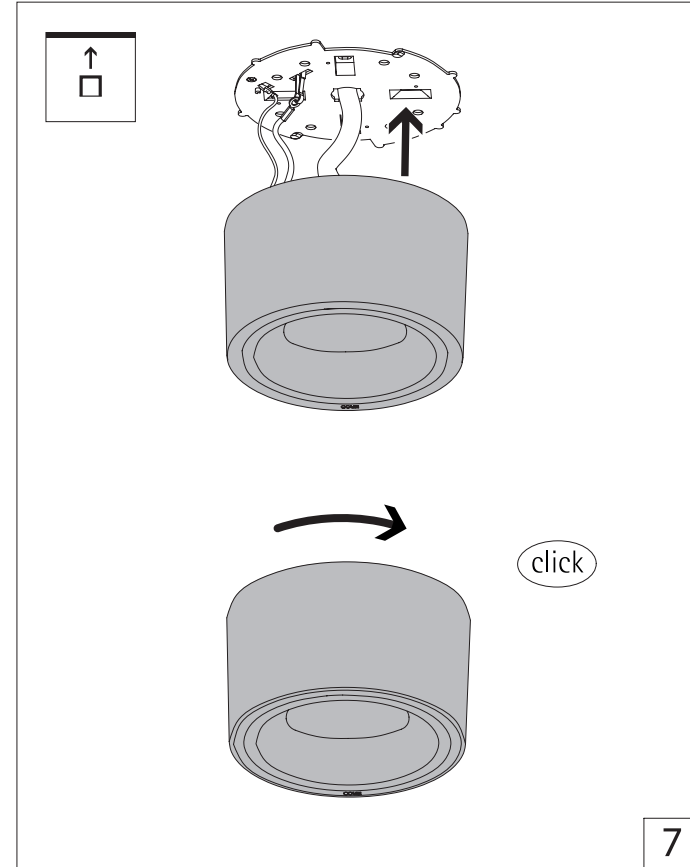
Size 5
Surface-mounted downlight
Surface-mounted downlight oval flood



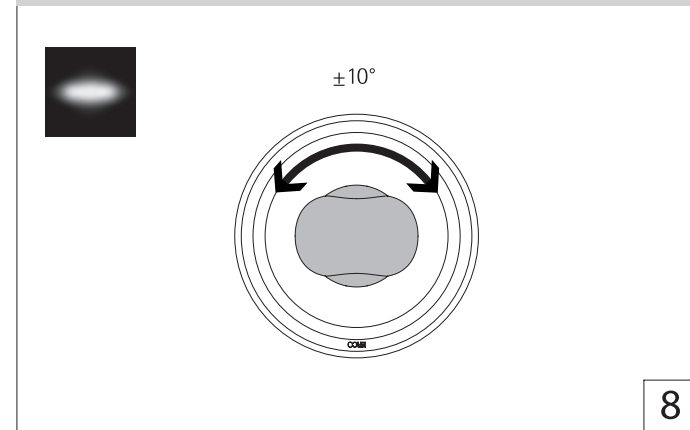
Surface-mounted downlight
Surface-mounted downlight oval flood



Surface-mounted downlight
Surface-mounted downlight oval flood



Surface-mounted downlight oval flood



English



Read the instructions carefully before installation and commissioning!



Leave the instructions for users/customers for future reference!

General safety information



Warning!
Risk of electric shock!

Prior to maintenance and installation work on the luminaire, disconnect mains cables and any existing DALI control lines, secure them against being switched on again and check that they are voltage free.

Attention!

- The LED module and control gear of this luminaire may only be replaced or repaired by the manufacturer. In case of damage or failure of the LED module or control gear, the complete luminaire must be sent back to the factory.
- When installing, always observe the national installation and accident prevention regulations.

Intended use

- The luminaire is suitable for use in dry interiors only.
- The luminaire is approved for ceiling installation only.

Choosing the mounting location

Position the luminaire so as to avoid operation in direct sunlight or near other sources of heat. High ambient temperatures can reduce the life and efficiency of the control gear or LED module.

Electrical installation

For 3-circuit installation: to avoid any damage to the control gear, the neutral conductor must never be connected or disconnected during operation.

Overvoltage protection

ERCO uses electronic control gear with overvoltage protection in accordance with DIN EN 61547. If additional protection from spikes is required, e.g. when switching off inductive loads, separate overvoltage protection units should be installed.

Luminaire with DALI control gear

- All cables, materials and devices used must be suitable for mains voltage, as the DALI signal is not transmitted using safety extra low voltage (SELV).
- The DALI control lines and mains cable are basic insulated from each other. Maintaining the designated insulation barriers of the luminaire or device may also depend on components/products externally connected to the control bus. This is the responsibility of the control system designer and not of the luminaire or device manufacturer.

Mounting

- For oval flood: Ensure correct beam direction. The arrow indicates longitudinal direction (Figures 2 and 4).
- For surface-mounted installation: Screw spacer onto mounting plate (Figures 3 and 5).
1. Remove mounting plate from the luminaire (Figure 1).
2. Drill fixing holes (Figures 2 and 4).
3. Fix mounting plate to the ceiling.
4. For size 5: Fix mounting aid (Figure 6).
5. Make the electric connection.
6. Fit earth connector (Figure 6).
7. Place luminaire on the mounting plate and turn right (Figure 7).

Rotating oval flood (Figure 8)

The lens can be rotated by around 10° for optimum adjustment.

Dimming

Depending on the version, the luminaire can be dimmed via suitable dimmers (trailing edge).

Trailing edge dimmers

Follow the manufacturer's installation instructions.

For some products, the luminaire can only be switched on in the upper dimming range. Before installation and connection, check luminaire, control gear and dimmer combination for proper functioning of the dimmer, especially when using universal dimmers.

The use of dimmers which are unsuitable for LED drivers can damage the luminaire, control gear and/or the dimmer.

No responsibility is accepted for the use of dimmers that are unsuitable for the luminaire.


Flashing of the LED module

It is normal for the LED module to flicker when switching on and off.

Cleaning

Always clean carefully using a soft cloth and a commercially available, pH-neutral, alcohol-free, non-abrasive cleaning agent.

Disposal

 In accordance with EU Directive WEEE (Waste Electrical and Electronic Equipment), luminaires must not be disposed of with other household waste. At the end of their life, luminaires must be taken to the appropriate local facility available for the disposal or recycling of electronic products.

Effizienzklasse Lichtquelle
Efficiency class light source
Classe d'efficacité énergétique de la source lumineuse
Efficiëntieklasse lichtbron
Classe di efficienza della sorgente luminosa
Clase de eficiencia de la fuente de luz
Ljuskällans energiklass
Energiklasse lyskilde
Energieeffektivitetsklasse for lyskilden

Deutsch

Dieses Produkt enthält eine Lichtquelle der Effizienzklasse B.
Aus wärmetechnischen und lichttechnischen Gründen sowie dem Schutz elektronischer Bauteile vor ESD (Electro Static Discharge) kann die Lichtquelle nicht vom Kunden gewechselt werden.

English

This product contains a light source of efficiency class B.
Due to thermal and photometric properties as well as to protect electronic components from ESD (electrostatic discharge) the light source cannot be changed by the customer.

Français

Ce produit comprend une source lumineuse de classe d'efficacité énergétique B.
Pour des raisons techniques liées à la chaleur et à l'éclairage, ainsi que pour protéger les composants électroniques contre la décharge électrostatique (DES), la source lumineuse ne peut pas être remplacée par le client.

Nederlands

Dit product bevat een lichtbron van efficiëntieklasse B.
Om warmtetechnische en lichttechnische redenen almede de bescherming van elektronische componenten tegen ESD (elektrostatische ontlading) kan de lichtbron niet door de klant worden gewisseld.

Italiano

Questo prodotto contiene una sorgente luminosa con classe di efficienza B.
Per ragioni tecniche di temperatura e illuminazione e la protezione dei componenti elettrici dall'ESD (Electro-Static Discharge), la sorgente luminosa non deve essere sostituita dal cliente.

Español

Este producto contiene una fuente de luz con clase de eficiencia B.
Por motivos térmicos y luminotécnicos, así como para proteger los componentes electrónicos contra descargas electrostáticas (ESD), no se permite al cliente cambiar la fuente de luz.

Svenska

Denna produkt innehåller en ljuskälla i energiklass B.
Av värme- och ljus tekniska skäl samt avseende skyddet av elektroniska komponenter mot elektrostatiska urladdningar (ESD) kan ljuskällan inte bytas av kunden.

Norsk

Dette produktet inneholder en lyskilde i energiklasse B.
Av varme- og lystekniske årsaker samt for å beskytte de elektroniske komponentene mot ESD (Electro Static Discharge), er det ikke mulig for kunden å skifte lyskilde.

Dansk

Dette produkt indeholder en lyskilde i energieffektivitetsklasse B.
Af varmetekniske og lystekniske samt for at beskytte de elektroniske komponenter mod ESD (electrostatic discharge/statiske udledninger) kan kunden ikke selv udskifte lyskilden.