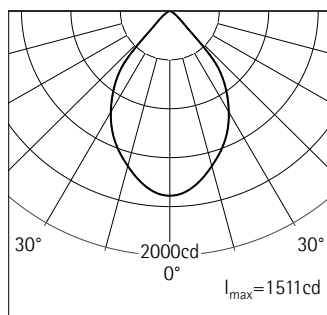


**89768.000 (C5000147)**

White (RAL9010)  
 LED module: 10W 1943lm 3000K warm white  
 DALI-2  
 Version 6  
 Construction size 5  
 Lens system, wide flood

**Product description**

Cylinder: cast aluminium, powder-coated.  
 Ceiling fixture: metal.  
 5-pole terminal block. Through-wiring possible.  
 ERCO DALI control gear.  
 LED module: mid-power LEDs.  
 Lens system made of optical polymer.  
 Anti-glare cone: polymer, white (RAL9016).  
 Optical cut-off 30°.  
 Approved for use as emergency lighting according to IEC / EN 60598-2-22.  
 Weight 2.20kg



Beam angle  
 C<sub>0</sub> 70°

UGR glare evaluation  
 C<sub>0</sub> 18

**Technical data**

Luminous flux of the luminaire	1799lm
Connected load	12.2W
Luminaire efficacy	147lm/W
Colour deviation	1.5 SDCM
Colour rendition index	CRI 82
Lumen maintenance	L90/B10 >50000h L80/B50 >100000h
LED failure rate	0.1% >50000h
Dimming range	1%-100%
Dimming method	CCR
TLA (Temporal Light Artefacts)	SVM ≤ 0.1; PstLM ≤ 1
LMF	E
Standby power per control gear	0.3W
Luminaires per circuit breaker B16	259

For your regional contact in the ERCO  
 Sales network [click here](http://www.erco.com/contact)  
[www.erco.com/contact](http://www.erco.com/contact)

Technical Region: 220-240V 50/60Hz  
 We reserve the right to make technical and design changes.  
 Edition: 06.05.2026  
 Current version under  
[www.erco.com/89768.000](http://www.erco.com/89768.000)

## Planning data

89768.000 LED module: 10W 1943lm 3000K warm white  
 Connected load P: 12.2 W  
 Connected load per 100lx P\*: 0.6 W/m<sup>2</sup>  
 Number of luminaires per 100lx n\*: 5.3 1/100m<sup>2</sup>

89768.000 LED module: 10W 1943lm 3000K warm white  
 Number of luminaires per 100m<sup>2</sup> for  
 100lx 200lx 300lx 500lx  
 6 11 16 27

89768.000 LED module: 10W 1943lm 3000K warm white  
 Module (m) 1.2x1.8 1.8x1.8 1.8x2.4 2.4x2.4  
 Illuminance E<sub>n</sub> (lx) for module (m) 875 583 437 328

### Melanopic light effect

Art. no.	Spectrum	MR	MDER
89768.000 (direct)	3000K CRI 82	0.52	0.47

MR Melanopic factor (of luminous radiation) a<sub>mel,v</sub>  
 MDER Melanopic Daylight Efficacy Ratio [gamma]<sub>mel,v,D65</sub>

Multiplying the illuminance with the melanopic daylight efficacy ratio MDER gives the melanopic equivalent daylight illuminance MEDl. (MEDl Melanopic Equivalent Daylight Illuminance [lx] E<sub>v, mel, D65</sub> [lx]).

### Extract from the Environmental Product Declaration (EPD)

The entire EPD can be found at: [www.erco.com/89768.000](http://www.erco.com/89768.000)

Lighting output	Manufacturing	Distribution	Installation	Use	EoL	Benefits and loads
1799	1.004137157	0.988039176	0.999643811	0.378881988	0.985114066	1.004137157

Frequently used EPD data that have already been converted for this article number.

Parameter	Unit	A1-A3	A4	A5	B6	C1	C2	C3	C4	D	Total
Results per functional unit											
GWP	kg CO2 eq	6.49E00	1.81E-01	2.20E-01	7.53E01	0.00E00	5.97E-03	1.70E-01	2.56E-03	-2.89E-01	8.24E01
GWP-biogenic	kg CO2 eq	-2.17E-01	0.00E00	2.16E-01	0.00E00	0.00E00	0.00E00	0.00E00	0.00E00	0.00E00	-1.00E-03
Results per declared unit											
GWP	kg CO2 eq	2.50E01	6.98E-01	8.50E-01	2.91E02	0.00E00	2.30E-02	6.54E-01	9.88E-03	-1.11E00	3.18E02
GWP-biogenic	kg CO2 eq	-8.35E-01	0.00E00	8.31E-01	0.00E00	0.00E00	0.00E00	0.00E00	0.00E00	0.00E00	-4.00E-03

A1-A3 Manufacturing  
 A4 Distribution  
 A5 Installation  
 B6 Use  
 C1-C4 End of Life  
 D Benefits and loads

The data for operating the light (Use B6) refer to the European power source mix.  
 You will find the ERCO EPD Help under Downloads/General planning data.

Cleaning (a) Ambient conditions	1				2				3			
	P	C	N	D	P	C	N	D	P	C	N	D
LMF	0.96	0.94	0.90	0.86	0.93	0.91	0.86	0.81	0.92	0.90	0.84	0.79

Hours of operation (h)	1000	5000	10000	20000	30000	40000	50000
	LLMF	1.00	0.99	0.98	0.96	0.94	0.92
LSF	1	1	1	1	1	1	1

MF LMFxRSMFxLLMFxLSF  
 MF Maintenance Factor  
 LMF Luminaire Maintenance Factor  
 RSMF Room Surface Maintenance Factor  
 LLMF Lamp Lumens Maintenance Factor  
 LSF Lamp Survival Factor  
 P Room pure  
 C Room clean  
 N Room normal  
 D Room dirty

## Planning data

### Data according to regulations

2019/2020/EU supplemented by 2021/341/EU and 2019/2015/EU supplemented by 2021/340/EU Energy Consumption Labelling Ordinance

This product contains a light source of efficiency class B  
Due to thermal and photometric properties as well as to protect electronic components from ESD (electrostatic discharge) the light source cannot be changed by the customer.

ID EPREL: 2206492

Model identifier: 3000071310

Download data sheets for control gear and disassembly instructions at [www.erco.com/slr](http://www.erco.com/slr)

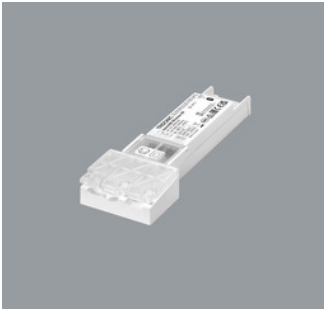
### Technical data in accordance with international norms and standards

IEC 60598	Luminaires – Part 1+2: general requirements, specific requirements and tests
IEC 62031	LED modules for general lighting – safety requirements
IEC 62471	Photobiological safety of lamps and lamp systems
EN 13032-4	Light and lighting – measurement and representation of photometric data
CIE 13	Method of measuring and specifying colour rendering properties of light sources

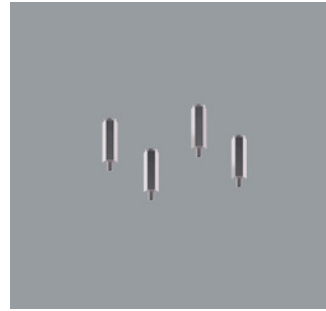
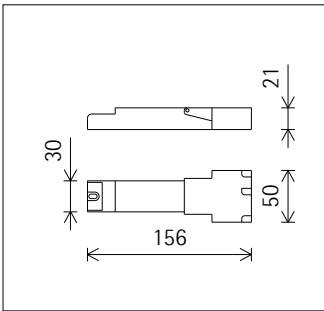
All technical data is subject to industry-standard tolerances.  
Also see [www.erco.com/erco-led](http://www.erco.com/erco-led)

For explanations of the symbols and abbreviations used and other general information, see [www.erco.com/symbols](http://www.erco.com/symbols)

## Accessories



**AC007007**  
**Casambi DALI Gateway**  
 Enables the control of DALI luminaires via Casambi Bluetooth.  
 Input voltage: 220-240V; 50/60Hz;  
 Power consumption in standby mode: <math><0,5W</math>.  
 DALI output (compatible). Wire cross-section: 0.2-1.5mm<sup>2</sup>.  
 Protection class II with strain relief for 2x  $\varnothing$  2.5-5mm or 1x  $\varnothing$  5-9mm.  
 Maximum wiring length 300m with 1.5mm<sup>2</sup> cable cross-section.  
 Maximum number of controllable luminaires: 25 (depending on the number of control gear units per luminaire - cf. luminaire data sheet)  
 Setup of gateway via Casambi app (Android/iOS) with Bluetooth Low Energy (BLE)-capable mobile devices. Operation only in Casambi Evolution networks. The range of the radio signal is approx. 10.0m, depending on surroundings.  
 Outgoing DALI control lines must be designed for mains voltage. The gateway provides 4 DALI group addresses, enabling 4 luminaire groups to be dimmed with fixed light colour. The luminaires are assigned to a DALI group address in the Casambi app.  
 With tunable white luminaires, up to 3 luminaire groups can be dimmed differently. The luminaires are assigned to a DALI group address in the Casambi app. The colour temperature is set simultaneously for all connected luminaires via a broadcast command. No special settings or assignments are necessary to adjust the colour temperature.  
 RGBW luminaires are automatically recognised by the gateway and controlled simultaneously via broadcast command; no special settings or assignments are necessary.  
 The controlled luminaire must have a DALI control gear.  
 Weight 0.06kg  
**CE**



**86502.000**  
**Spacer set**  
 for surface-mounted cables.  
 Polymer, black.  
 Height 15mm.  
**CE**



**12488.000**  
**Pendant tube suspension**  
 Pendant tube: metal, white (RAL9010) powder-coated.  $\varnothing$  13mm, L 1045mm.  
 Canopy: polymer, white.  $\varnothing$  64mm, H 73mm.  
 Mounting part for attachment to a surface-mounted luminaire: zinc die-cast/steel.  
 Connection cable 5x 0.75mm<sup>2</sup>, L 1400mm.  
 Load: 20kg.  
 Weight 0.65kg  
**CE IP 20**

