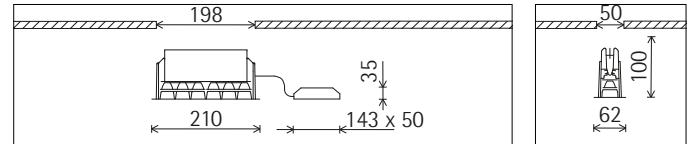
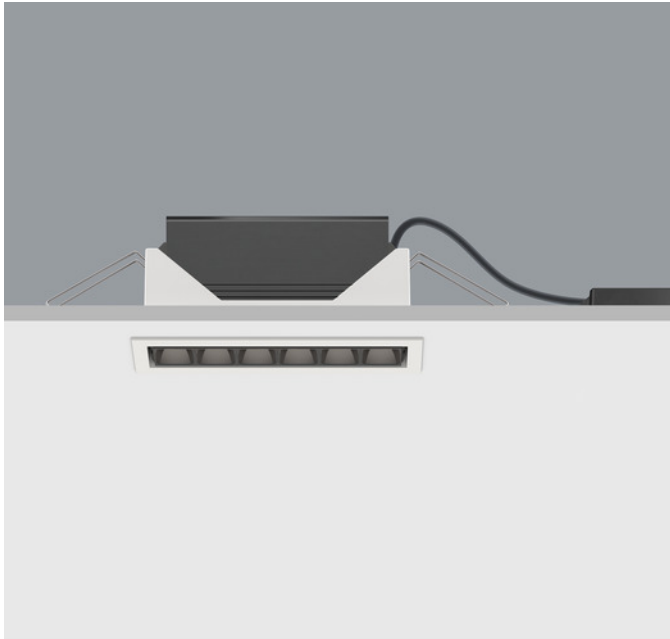


with black louvre

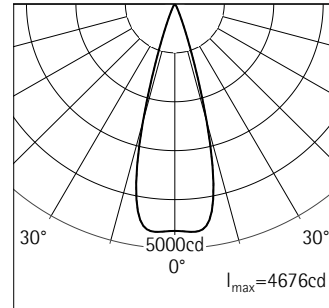


**55119.000 (C0002821)**

White (RAL9002)  
 LED module: 12.1W 1411lm 2700K  
 warm white  
 Phase dimmable  
 Version 3  
 Covered mounting detail  
 Flush mounting is possible with  
 accessory  
 Lens system flood

**Product description**

Housing: aluminium profile, anodised black, designed as heat sink, with connection cable L 500mm.  
 Mounting frame: polymer, white (RAL9002). Fixing springs for ceiling thicknesses of 1-40mm.  
 2-pole terminal block.  
 Includes ERCO control gear, dimmable.  
 LED module: high-power LEDs.  
 Lens system made of optical polymer.  
 Louvre: polymer, coated black (RAL9005), matt.  
 Cut-off angle 30°.  
 Min. distance between luminaire and control gear 100mm.  
 Dimming with external dimmers possible (trailing edge).  
 Approved for use as emergency lighting according to IEC / EN 60598-2-22.  
 Safety class II  
 Weight 0.75kg  
 Through-wiring possible on request.



Beam angle  
 C<sub>0</sub> 30°  
 UGR glare evaluation  
 C<sub>0</sub> <10

**Technical data**

Luminous flux of the luminaire	1229lm
Connected load	15.0W
Luminaire efficacy	82lm/W
Colour deviation	1.5 SDCM
Colour rendition index	CRI 92
Lumen maintenance	L90/B10 >50000h L90 >100000h
LED failure rate	0.1% >50000h
Dimming range	1%-100%
Dimming method	CCR_PWM
TLA (Temporal Light Artefacts)	SVM ≤ 0.4; PstLM ≤ 1
LMF	D
Standby power per control gear	--
Luminaires per circuit breaker B16	211

For your regional contact in the ERCO  
 Sales network [click here](http://www.ercosales.com)  
[www.ercosales.com/contact](http://www.ercosales.com/contact)

Technical Region: 220-240V 50/60Hz  
 We reserve the right to make technical  
 and design changes.  
 Edition: 05.05.2026  
 Current version under  
[www.ercosales.com/55119.000](http://www.ercosales.com/55119.000)

## Planning data

55119.000 LED module: 12.1W 1411lm 2700K warm white  
 Connected load P: 15.0 W  
 Connected load per 100lx P\*: 1.2 W/m<sup>2</sup>  
 Number of luminaires per 100lx n\*: 7.8 1/100m<sup>2</sup>

55119.000 LED module: 12.1W 1411lm 2700K warm white  
 Number of luminaires per 100m<sup>2</sup> for  
 100lx 200lx 300lx 500lx  
 8 16 24 39

55119.000 LED module: 12.1W 1411lm 2700K warm white  
 Module (m) 1.2x1.8 1.8x1.8 1.8x2.4 2.4x2.4  
 Illuminance E<sub>n</sub> (lx) for module (m) 597 398 299 224

### Melanopic light effect

Art. no.	Spectrum	MR	MDER
55119.000 (direct)	2700K CRI 92	0.48	0.43

MR Melanopic factor (of luminous radiation) a<sub>mel,v</sub>  
 MDER Melanopic Daylight Efficacy Ratio [gamma]<sub>mel,v,D65</sub>

Multiplying the illuminance with the melanopic daylight efficacy ratio MDER gives the melanopic equivalent daylight illuminance MEDl. (MEDl Melanopic Equivalent Daylight Illuminance [lx] E<sub>v, mel, D65</sub> [lx]).

### Extract from the Environmental Product Declaration (EPD)

The entire EPD can be found at: [www.ercos.com/55119.000](http://www.ercos.com/55119.000)

Extrapolation coefficients to convert the reference data from the EPD document for the declared unit

Lighting output	Manufacturing	Distribution	Installation	Use	EoL	Benefits and loads
1229	0.710583316	0.624398361	0.786076604	0.551470588	0.56546665	0.710583316

Frequently used EPD data that have already been converted for this article number.

Parameter	Unit	A1-A3	A4	A5	B6	C1	C2	C3	C4	D	Total
Results per functional unit											
GWP	kg CO2 eq	7.21E00	1.18E-01	2.35E-01	1.35E02	0.00E00	3.23E-03	1.94E-01	1.52E-03	-1.50E00	1.43E02
GWP-biogenic	kg CO2 eq	-2.05E-01	0.00E00	2.27E-01	0.00E00	0.00E00	0.00E00	0.00E00	0.00E00	0.00E00	2.20E-02
Results per declared unit											
GWP	kg CO2 eq	1.90E01	3.09E-01	6.18E-01	3.56E02	0.00E00	8.50E-03	5.10E-01	4.01E-03	-3.95E00	3.76E02
GWP-biogenic	kg CO2 eq	-5.41E-01	0.00E00	5.98E-01	0.00E00	0.00E00	0.00E00	0.00E00	0.00E00	0.00E00	5.70E-02

A1-A3 Manufacturing  
 A4 Distribution  
 A5 Installation  
 B6 Use  
 C1-C4 End of Life  
 D Benefits and loads

The data for operating the light (Use B6) refer to the European power source mix.  
 You will find the ERCO EPD Help under Downloads/General planning data.

Cleaning (a) Ambient conditions	1				2				3			
	P	C	N	D	P	C	N	D	P	C	N	D
LMF	0.94	0.88	0.82	0.77	0.91	0.83	0.77	0.71	0.89	0.79	0.73	0.65

Hours of operation (h)	1000	5000	10000	20000	30000	40000	50000
	LLMF	1.00	0.99	0.98	0.96	0.94	0.92
LSF	1	1	1	1	1	1	1

MF LMFxRSMFxLLMFxLSF  
 MF Maintenance Factor  
 LMF Luminaire Maintenance Factor  
 RSMF Room Surface Maintenance Factor  
 LLMF Lamp Lumens Maintenance Factor  
 LSF Lamp Survival Factor  
 P Room pure  
 C Room clean  
 N Room normal  
 D Room dirty

## Planning data

**Data according to regulations**

2019/2020/EU supplemented by 2021/341/EU and 2019/2015/EU supplemented by 2021/340/EU Energy Consumption Labelling Ordinance

This product contains a light source of efficiency class E  
Due to thermal and photometric properties as well as to protect electronic components from ESD (electrostatic discharge) the light source cannot be changed by the customer.

ID EPREL: 1784443

Model identifier: 3000068261

Download data sheets for control gear and disassembly instructions at [www.erco.com/slr](http://www.erco.com/slr)

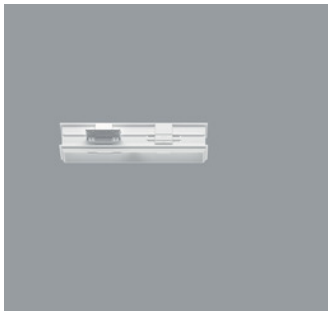
**Technical data in accordance with international norms and standards**

IEC 60598	Luminaires – Part 1+2: general requirements, specific requirements and tests
IEC 62031	LED modules for general lighting – safety requirements
IEC 62471	Photobiological safety of lamps and lamp systems
EN 13032-4	Light and lighting – measurement and representation of photometric data
CIE 13	Method of measuring and specifying colour rendering properties of light sources

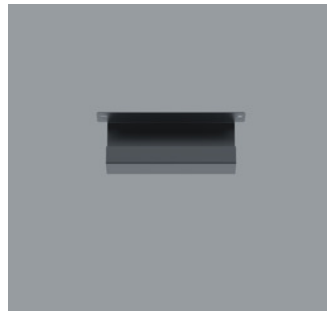
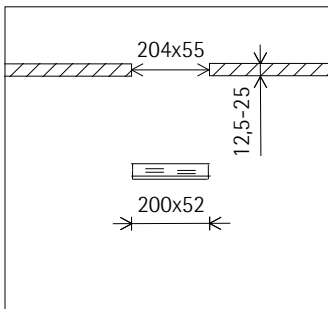
All technical data is subject to industry-standard tolerances.  
Also see [www.erco.com/erco-led](http://www.erco.com/erco-led)

For explanations of the symbols and abbreviations used and other general information, see [www.erco.com/symbols](http://www.erco.com/symbols)

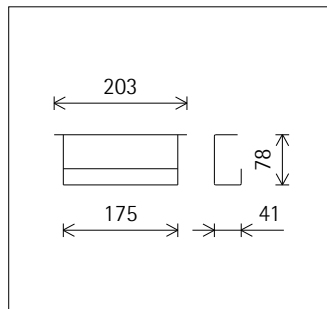
## Accessories



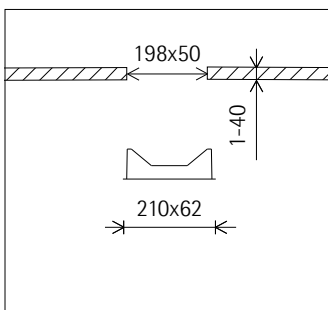
**87153.000**  
 Mounting frame  
 For flush mounting of luminaires with ceiling aperture 198x50mm.  
 Polymer, white (RAL9002). Mounting for ceiling thicknesses of 12.5-25mm.  
 The recess depth of the luminaire increases by 2mm.  
 Weight 0.05kg



**88236.000**  
 Suspension for control gear  
 Sheet steel, powder-coated black.  
 Weight 0.37kg  
 87544.000



**89482.000**  
 Mounting frame  
 For covered mounting of luminaires with ceiling aperture 198x50mm.  
 Polymer, black (RAL9011). Fixing springs for ceiling thicknesses of 1-40mm.  
 Weight 0.12kg



**87544.000**  
 Mounting frame  
 for ceiling channels. Sheet steel, powder-coated black.  
 Weight 0.28kg

