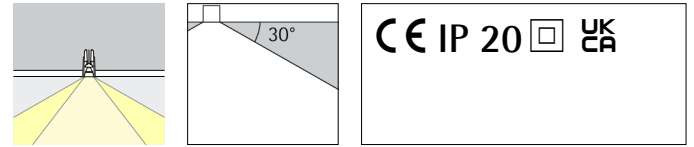
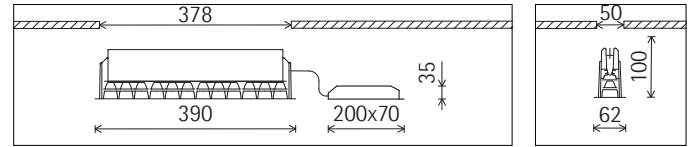
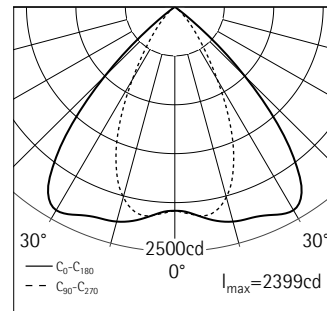


with silver louvre



53512.000 (C0000055)
 White (RAL9002)
 LED module: 24.2W 3252lm 3500K
 neutral white
 Casambi Bluetooth
 Version 3
 Covered mounting detail
 Flush mounting is possible with
 accessory
 Lens system oval wide flood

Product description
 Housing: aluminium profile, anodised black, designed as heat sink, with connection cable L 500mm.
 Mounting frame: polymer, white (RAL9002). Fixing springs for ceiling thicknesses of 1-40mm.
 3-pole terminal block. Through-wiring possible.
 Includes ERCO Casambi control gear.
 LED module: high-power LEDs.
 Lens system made of optical polymer.
 Louvre: polymer, aluminium vaporised, silver, highly specular.
 Cut-off angle 30°.
 Min. distance between luminaire and control gear 100mm.
 Control via Casambi app (Android/iOS) with Bluetooth Low Energy (BLE)-capable mobile devices or "Casambi Ready" products.
 Approved for use as emergency lighting according to IEC / EN 60598-2-22.
 Safety class II
 Weight 1.38kg



Beam angle
 C0 87°
 C90 54°
 UGR glare evaluation
 C0 24
 C90 16

Technical data	
Luminous flux of the luminaire	2709lm
Connected load	27.2W
Luminaire efficacy	100lm/W
Colour deviation	1.5 SDCM
Colour rendition index	CRI 92
Lumen maintenance	L90/B10 >50000h L90 >100000h
LED failure rate	0.1% >50000h
Dimming range	1%-100%
Dimming method	CCR
TLA (Temporal Light Artefacts)	SVM ≤ 0.1; PstLM ≤ 1
LMF	D
Standby power per control gear	0.4W
Luminaires per circuit breaker B16	116

For your regional contact in the ERCO
 Sales network [click here](http://www.ercosales.com)
www.ercosales.com/contact

Technical Region: 220-240V 50/60Hz
 We reserve the right to make technical
 and design changes.
 Edition: 05.05.2026
 Current version under
www.ercosales.com/53512.000

Planning data

53512.000 LED module: 24.2W 3252lm 3500K neutral white
 Connected load P: 27.2 W
 Connected load per 100lx P*: 1.1 W/m²
 Number of luminaires per 100lx n*: 3.5 1/100m²

53512.000 LED module: 24.2W 3252lm 3500K neutral white
 Number of luminaires per 100m² for
 100lx 200lx 300lx 500lx
 4 8 11 18

53512.000 LED module: 24.2W 3252lm 3500K neutral white
 Module (m) 1.2x1.8 1.8x1.8 1.8x2.4 2.4x2.4
 Illuminance E_n (lx) for module (m) 1317 878 658 494

Melanopic light effect

Art. no.	Spectrum	MR	MDER
53512.000 (direct)	3500K CRI 92	0.62	0.57

MR Melanopic factor (of luminous radiation) a_{mel,v}
 MDER Melanopic Daylight Efficacy Ratio [gamma]_{mel,v,D65}

Multiplying the illuminance with the melanopic daylight efficacy ratio MDER gives the melanopic equivalent daylight illuminance MEDl. (MEDl Melanopic Equivalent Daylight Illuminance [lx] E_{v, mel, D65} [lx]).

Extract from the Environmental Product Declaration (EPD)

The entire EPD can be found at: www.erco.com/53512.000

Extrapolation coefficients to convert the reference data from the EPD document for the declared unit

Lighting output	Manufacturing	Distribution	Installation	Use	EoL	Benefits and loads
2709	1.074976031	1.008908842	1.000153131	1	1.012100299	1.074976031

Frequently used EPD data that have already been converted for this article number.

Parameter	Unit	A1-A3	A4	A5	B6	C1	C2	C3	C4	D	Total
Results per functional unit											
GWP	kg CO2 eq	4.95E00	8.61E-02	1.36E-01	1.11E02	0.00E00	2.62E-03	1.57E-01	1.24E-03	-1.03E00	1.16E02
GWP-biogenic	kg CO2 eq	-1.41E-01	0.00E00	1.31E-01	0.00E00	0.00E00	0.00E00	0.00E00	0.00E00	0.00E00	-10.00E-03
Results per declared unit											
GWP	kg CO2 eq	2.87E01	5.00E-01	7.87E-01	6.46E02	0.00E00	1.52E-02	9.13E-01	7.18E-03	-5.97E00	6.77E02
GWP-biogenic	kg CO2 eq	-8.18E-01	0.00E00	7.61E-01	0.00E00	0.00E00	0.00E00	0.00E00	0.00E00	0.00E00	-5.70E-02

A1-A3 Manufacturing
 A4 Distribution
 A5 Installation
 B6 Use
 C1-C4 End of Life
 D Benefits and loads

The data for operating the light (Use B6) refer to the European power source mix.
 You will find the ERCO EPD Help under Downloads/General planning data.

Cleaning (a) Ambient conditions	1				2				3			
	P	C	N	D	P	C	N	D	P	C	N	D
LMF	0.94	0.88	0.82	0.77	0.91	0.83	0.77	0.71	0.89	0.79	0.73	0.65

Hours of operation (h)	1000	5000	10000	20000	30000	40000	50000
	LLMF	1.00	0.99	0.98	0.96	0.94	0.92
LSF	1	1	1	1	1	1	1

MF LMFxRSMFxLLMFxLSF
 MF Maintenance Factor
 LMF Luminaire Maintenance Factor
 RSMF Room Surface Maintenance Factor
 LLMF Lamp Lumens Maintenance Factor
 LSF Lamp Survival Factor
 P Room pure
 C Room clean
 N Room normal
 D Room dirty

Planning data

Data according to regulations

2019/2020/EU supplemented by 2021/341/EU and 2019/2015/EU supplemented by 2021/340/EU Energy Consumption Labelling Ordinance

This product contains a light source of efficiency class D
Due to thermal and photometric properties as well as to protect electronic components from ESD (electrostatic discharge) the light source cannot be changed by the customer.

ID EPREL: 1784449

Model identifier: 3000068267

Download data sheets for control gear and disassembly instructions at www.erco.com/slr

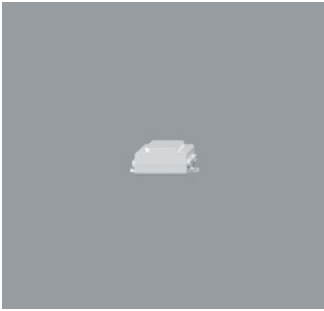
Technical data in accordance with international norms and standards

IEC 60598	Luminaires – Part 1+2: general requirements, specific requirements and tests
IEC 62031	LED modules for general lighting – safety requirements
IEC 62471	Photobiological safety of lamps and lamp systems
EN 13032-4	Light and lighting – measurement and representation of photometric data
CIE 13	Method of measuring and specifying colour rendering properties of light sources

All technical data is subject to industry-standard tolerances.
Also see www.erco.com/erco-led

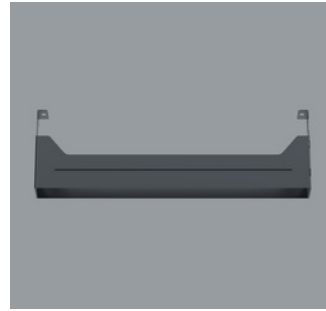
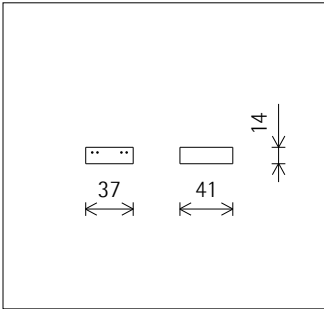
For explanations of the symbols and abbreviations used and other general information, see www.erco.com/symbols

Accessories

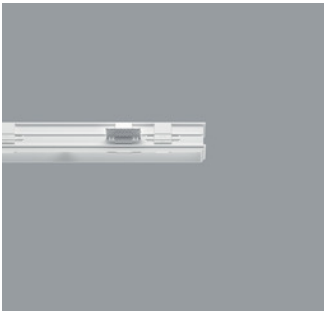
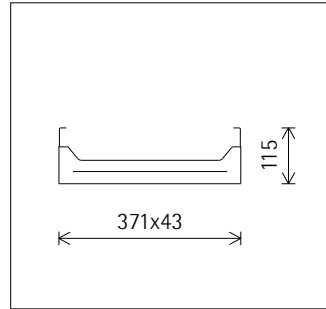


55251.000
 DALI Casambi Gateway
 Enables DALI systems to be connected to luminaires, sensors and control units with Casambi Bluetooth. The gateway can only be operated in Evolution networks. Power is supplied exclusively via the DALI bus. Connection via two lines which must be designed for mains voltage. The gateway requires no DALI addresses, the devices appear as non-configured devices in the DALI system. Addressing/commissioning is performed via the DALI control. It can individually control 64 devices, and via the broadcast command up to 249 devices.
 This article is identical with article 55251.

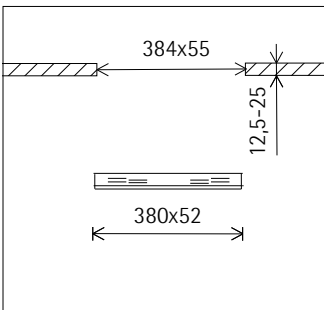
CE



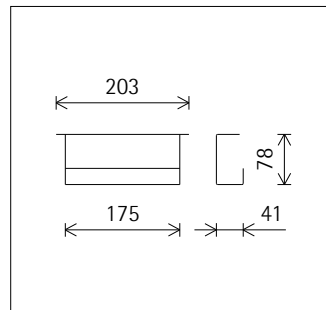
87545.000
 Mounting frame for ceiling channels. Sheet steel, powder-coated black. Weight 0.80kg



87154.000
 Mounting frame
 For flush mounting of luminaires with ceiling aperture 378x50mm. Polymer, white (RAL9002). Mounting for ceiling thicknesses of 12.5-25mm. The recess depth of the luminaire increases by 2mm. Weight 0.16kg



88236.000
 Suspension for control gear
 Sheet steel, powder-coated black. Weight 0.37kg
 87545.000



89483.000
 Mounting frame
 For covered mounting of luminaires with ceiling aperture 378x50mm. Polymer, black (RAL9011). Fixing springs for ceiling thicknesses of 1-40mm. Weight 0.17kg

