

Notes and safety instructions

English

Follow all enclosed instructions during installation.



Read the instructions carefully before installation and commissioning!



Leave the instructions for users/customers for future reference!

General safety information



Warning!
Risk of electric shock!

- Before carrying out maintenance and installation on the luminaire, disconnect from the mains supply and also from any other DALI control wiring, and ensure that all power is switched off.
- Never operate luminaires with damaged connection cables. The connection cable may only be replaced by the manufacturer.



Caution!
Blue light hazard!



Position the luminaire marked with one of two adjacent pictograms so that extended gazing into the luminaire from a distance of less than x m is not expected. Find the value for x in the included graphic installation instructions.

Attention!

- The LED module and control gear of this luminaire may only be replaced or repaired by the manufacturer. In case of damage or failure of the LED module or control gear, the complete luminaire must be sent back to the factory.
- When installing, always observe the national installation and accident prevention regulations.

Intended use

The luminaire is suitable for use in dry interiors only.

Choosing the mounting location



Luminaire not suitable for covering with thermal insulation material.

- Lateral air space under EN 60598: The lateral distance between the surface of the luminaire and any parts of the building must be no less than 50mm.
- Recess depth according to EN 60598: Any necessary minimum distance between the uppermost surface of the luminaire and any parts of the building can be found in the mounting instructions.
- Position the luminaire so as to avoid operation in direct sunlight or near other sources of heat. High ambient temperatures can reduce the life and efficiency of the control gear or LED module.
- Luminaires with Casambi Bluetooth must not be installed in metal housings (such as recessed concrete housings).

Electrical installation

- Position the control gear as far from the luminaire as possible. Avoid crossing cables.

- Do not disconnect the electrical connection between the luminaire and control gear! This can cause damage to the luminaire and/or the control gear.

- For 3-circuit installation: to avoid any damage to the control gear, the neutral conductor must never be connected or disconnected during operation.

Overvoltage protection

ERCO uses electronic control gear with overvoltage protection in accordance with DIN EN 61547. If additional protection from spikes is required, e.g. when switching off inductive loads, separate overvoltage protection units should be installed.

Luminaire with DALI control gear

- All cables, materials and devices used must be suitable for mains voltage, as the DALI signal is not transmitted using safety extra low voltage (SELV).

- The DALI control lines and mains cable are basic insulated from each other. Maintaining the designated insulation barriers of the luminaire or device may also depend on components/products externally connected to the control bus. This is the responsibility of the control system designer and not the luminaire or device manufacturer.

Push Dim

DALI luminaires whose DA connections are additionally marked "N" and "Push" can be controlled directly with a commercially available push-button (N.O. contact). For details see www.erco.com/pushdim.

RGBW luminaires

By combining red, green and blue colour mixing with warm white LEDs at different dimming levels, all colours, shades and colour temperatures can be created. To control the colours via a DALI system with colour management, the signal input has a DALI interface with an address for the luminaire. When operated using a system without colour management, 3 addresses per luminaire are used.

Tunable white

Control of the tunable white component only via the DALI system with colour management (device type-8). Other systems can only dim but not control the light colour.

Luminaires with Casambi Bluetooth control

- ERCO GmbH hereby declares that the luminaires with Casambi Bluetooth control are compliant with Directive 2014/53/EU and the UK SI 2017 No. 1206
- The Radio Equipment Regulations 2017. Radio operation is implemented on frequency bands 2402 – 2480 MHz with maximum transmission power of 4/8 dBm.

The complete text of the certificates is available at the following internet address: www.erco.com/article number

- For control of the luminaire you need a Bluetooth 4.0-capable smartphone or tablet and the Casambi app for iOS or Android downloadable for free in the specific app stores.

- Because the switching signal in a mesh network is transferred from luminaire to luminaire, the spacing between two luminaires must not exceed 10m. This distance may be less according to the environment. For this reason you should check possible spacing between the luminaires prior to installation.

- Information on the features, commissioning, programming and operation of a Casambi network is available at: <https://support.casambi.com/support/home>

We will be pleased to support you with your project. Please do not hesitate to contact us.

Mounting

- When using wallwashers and directional luminaires, ensure correct alignment of the luminaire.
- When handling the reflector use the enclosed protective glove.

Removal

Remove the luminaire in reverse order. Note: Carefully lift the luminaire out of the mounting ring using a screwdriver.

Flashing of the LED module

It is normal for the LED module to flicker when switching on and off.

Dimming

Depending on the version, the luminaire can be dimmed via suitable dimmers (trailing edge).

Trailing edge dimmers

Follow the manufacturer's installation instructions. For some products, the luminaire can only be switched on in the upper dimming range. Before installation and connection, check luminaire, control gear and dimmer combination for proper functioning of the dimmer, especially when using universal dimmers.

The use of dimmers which are unsuitable for LED drivers can damage the luminaire, control gear and/or the dimmer. **No responsibility is accepted for the use of dimmers that are unsuitable for the luminaire.**

Cleaning

Always clean carefully using a soft cloth and a commercially available, pH-neutral, alcohol-free, non-abrasive cleaning agent.

Disposal

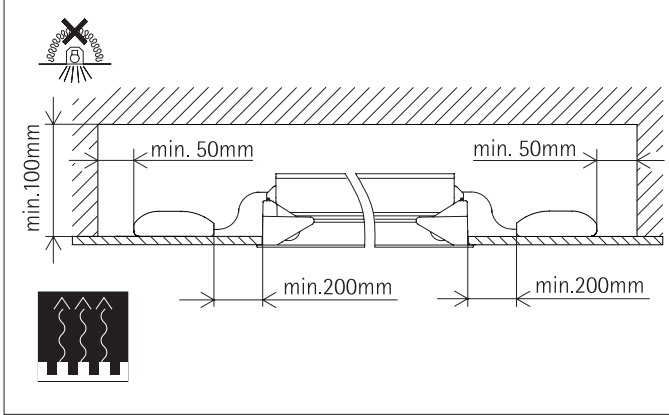


In accordance with EU Directive WEEE (Waste Electrical and Electronic Equipment), luminaires must not be disposed of with other household waste. At the end of their life, luminaires must be taken to the appropriate local facility available for the disposal or recycling of electronic products.

Compar

Mounting instructions

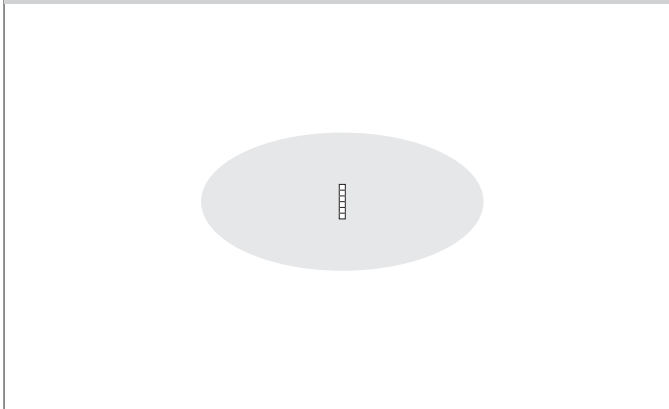
Downlight Downlight oval wide flood Downlight oval flood



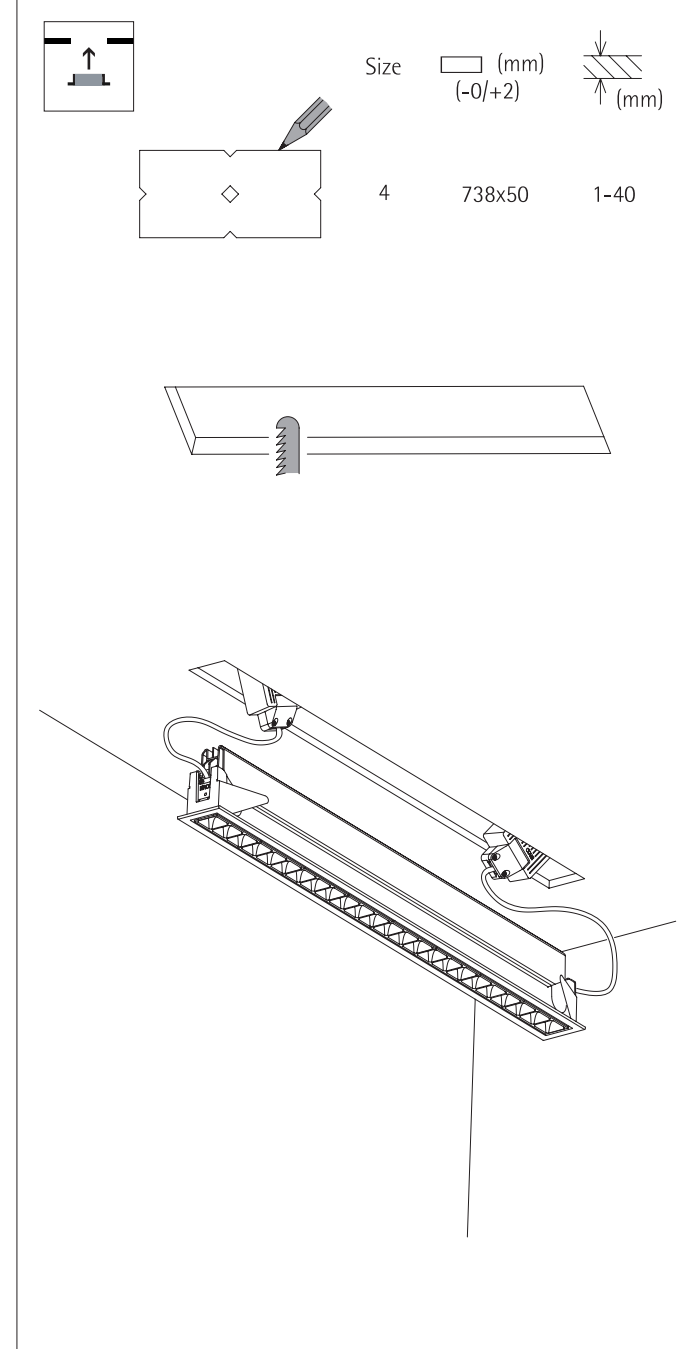
Oval flood



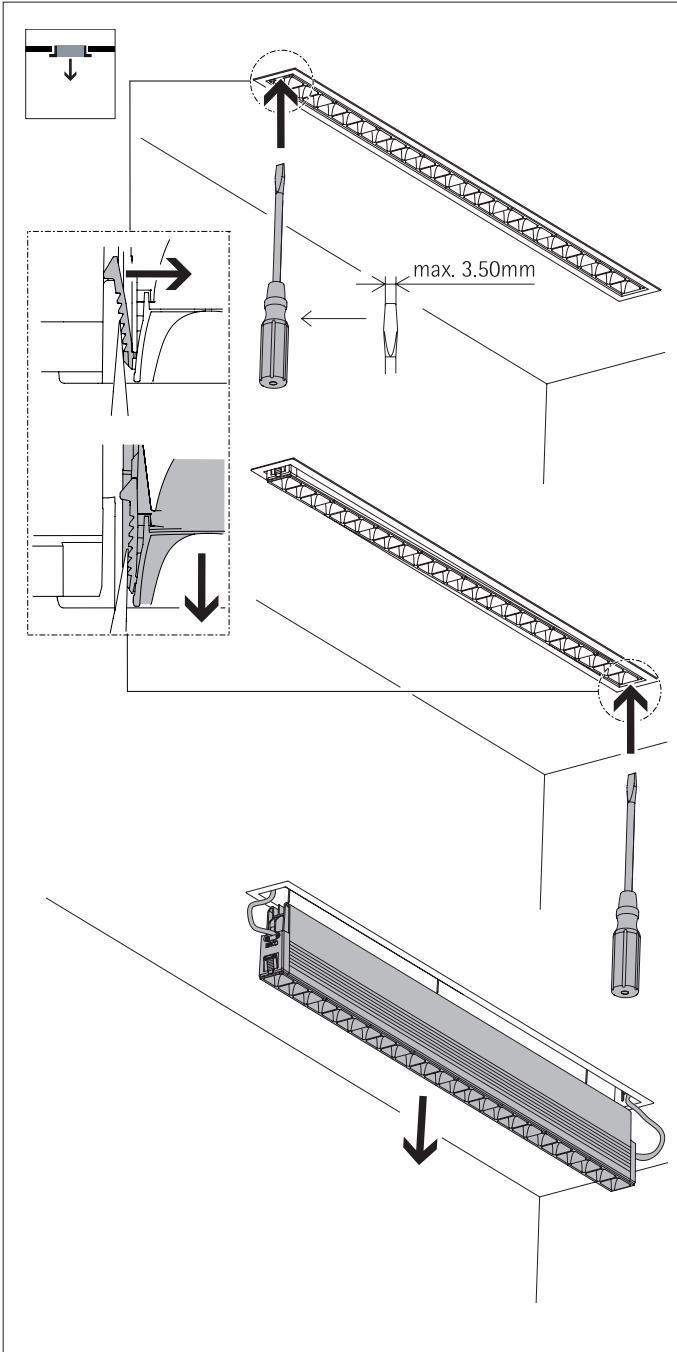
Oval wide flood



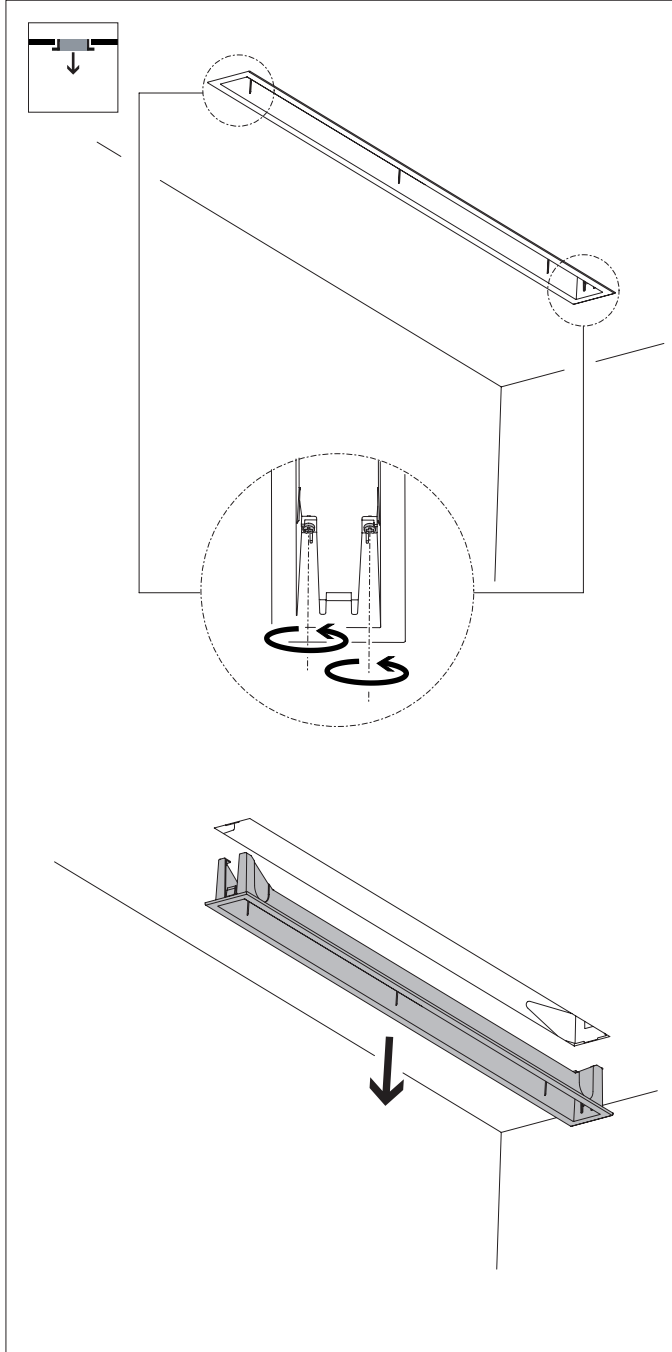
Downlight Downlight oval wide flood Downlight oval flood



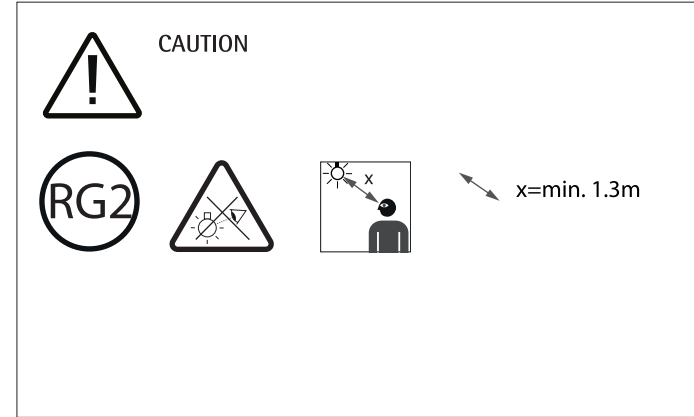
Downlight
 Downlight oval wide flood
 Downlight oval flood



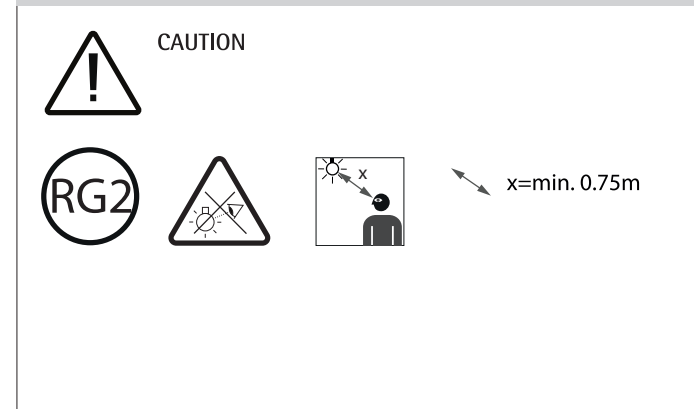
Downlight
 Downlight oval wide flood
 Downlight oval flood



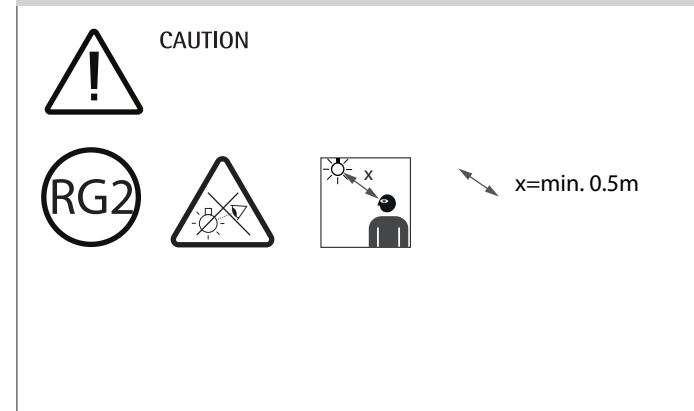
Spot 76W



Flood 76W



Oval wide flood 4000K / Oval flood 4000K



English

Follow the attached mounting instructions.

Effizienzklasse Lichtquelle
Efficiency class light source
Classe d'efficacité énergétique de la source lumineuse
Efficiëntieklasse lichtbron
Classe di efficienza della sorgente luminosa
Clase de eficiencia de la fuente de luz
Ljuskällans energiklass
Energiklasse lyskilde
Energieeffektivitetsklasse for lyskilden

Deutsch

Dieses Produkt enthält eine Lichtquelle der Effizienzklasse E.
Aus wärmetechnischen und lichttechnischen Gründen sowie dem Schutz elektronischer Bauteile vor ESD (Electro Static Discharge) kann die Lichtquelle nicht vom Kunden gewechselt werden.

English

This product contains a light source of efficiency class E.
Due to thermal and photometric properties as well as to protect electronic components from ESD (electrostatic discharge) the light source cannot be changed by the customer.

Français

Ce produit comprend une source lumineuse de classe d'efficacité énergétique E.
Pour des raisons techniques liées à la chaleur et à l'éclairage, ainsi que pour protéger les composants électroniques contre la décharge électrostatique (DES), la source lumineuse ne peut pas être remplacée par le client.

Nederlands

Dit product bevat een lichtbron van efficiëntieklasse E.
Om warmtetechnische en lichttechnische redenen almede de bescherming van elektronische componenten tegen ESD (elektrostatische ontlading) kan de lichtbron niet door de klant worden gewisseld.

Italiano

Questo prodotto contiene una sorgente luminosa con classe di efficienza E.
Per ragioni tecniche di temperatura e illuminazione e la protezione dei componenti elettrici dall'ESD (Electro-Static Discharge), la sorgente luminosa non deve essere sostituita dal cliente.

Español

Este producto contiene una fuente de luz con clase de eficiencia E.
Por motivos térmicos y luminotécnicos, así como para proteger los componentes electrónicos contra descargas electrostáticas (ESD), no se permite al cliente cambiar la fuente de luz.

Svenska

Denna produkt innehåller en ljuskälla i energiklass E.
Av värme- och ljus tekniska skäl samt avseende skyddet av elektroniska komponenter mot elektrostatiska urladdningar (ESD) kan ljuskällan inte bytas av kunden.

Norsk

Dette produktet inneholder en lyskilde i energiklasse E.
Av varme- og lystekniske årsaker samt for å beskytte de elektroniske komponentene mot ESD (Electro Static Discharge), er det ikke mulig for kunden å skifte lyskilde.

Dansk

Dette produkt indeholder en lyskilde i energieffektivitetsklasse E.
Af varmetekniske og lystekniske samt for at beskytte de elektroniske komponenter mod ESD (electrostatic discharge/statiske udledninger) kan kunden ikke selv udskifte lyskilden.