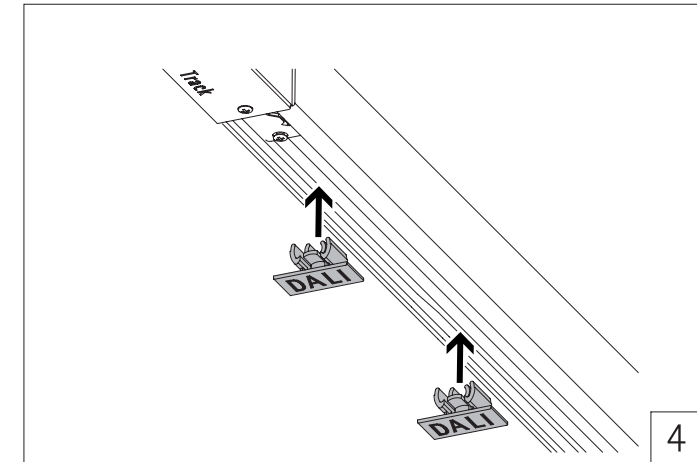
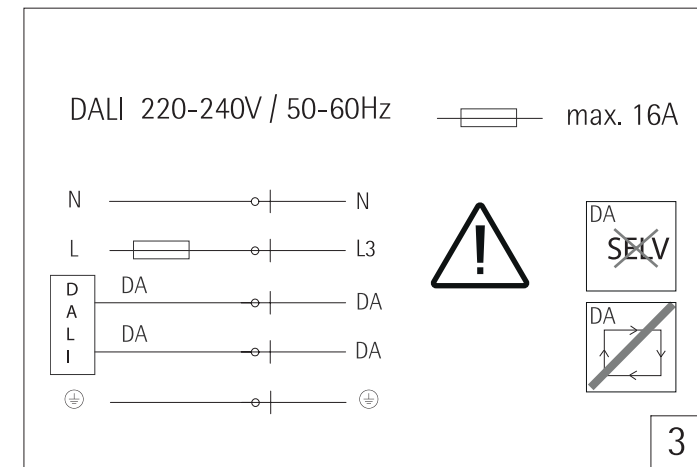
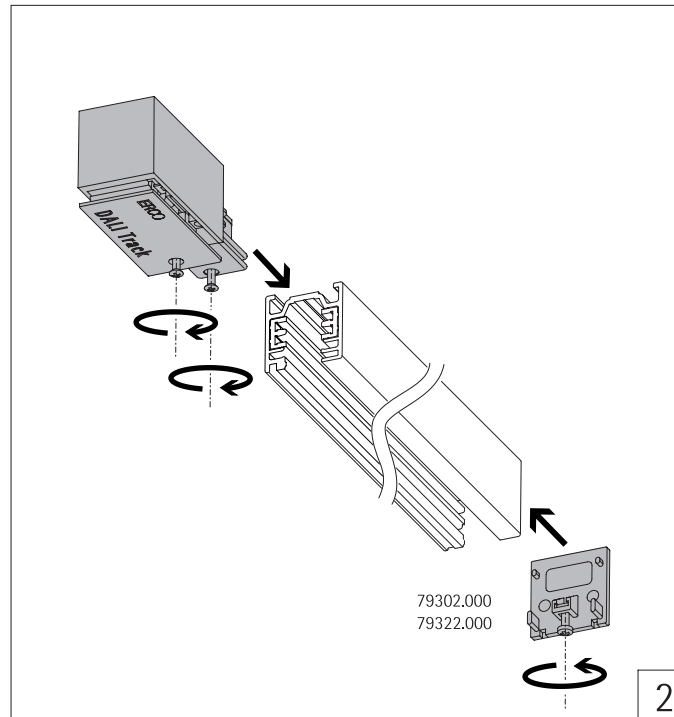
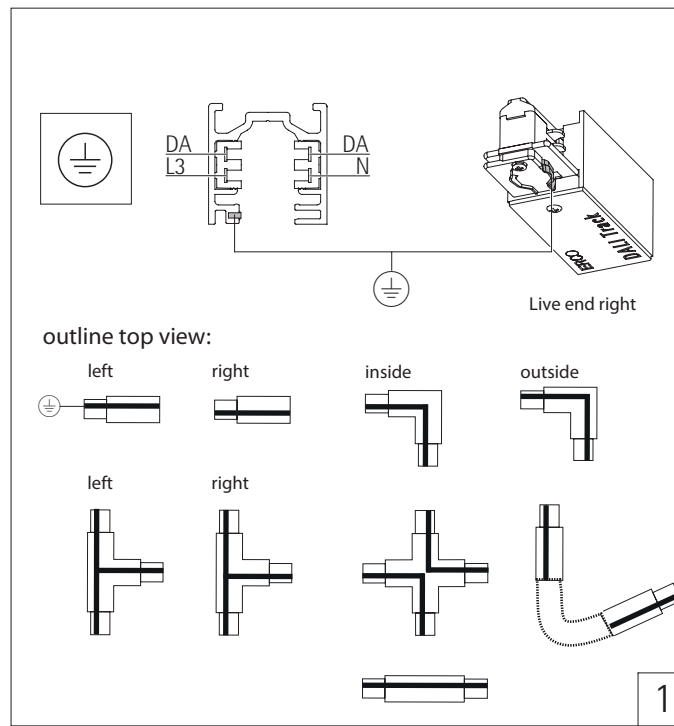


## DALI connector

### Mounting instructions



#### English

Read the instructions carefully before installation and commissioning!

Leave the instructions for users/customers for future reference!

#### General safety information

**Warning!**  
**Risk of electric shock!**

Prior to maintenance, cleaning and installation work, disconnect mains cables and existing DALI control lines and check the power is switched-off.

#### Attention!

- The electrical contractor has responsibility for ensuring the electrical, mechanical and thermal compatibility between the track connector and track system.

- With DALI installations only DALI connectors must be used.
- Installation requires specialist electrical knowledge and must only be carried out by an approved specialist.
- All cables, materials and devices used must be suitable for mains voltage, as the DALI signal is not transmitted using safety extra low voltage (SELV).
- The DALI control lines and mains cable are basic insulated from each other. Maintaining the designated insulation barriers of the luminaire or device may also depend on components/products externally connected to the control bus. This is the responsibility of the control system designer and not the luminaire or device manufacturer.
- Mark the track as DALI track with the included clips (fig. 4).
- When installing, always observe the national installation and accident prevention regulations.

- When installation is complete, check the function of the protective conductor on the track.

**Intended use**

- Installation and operation is only permissible with ERCO track and accessories.
- The track is suitable for use in dry interiors only.

**Installation information**

- Observe the position of the earth conductor. Various versions are available (fig. 1).
- Attach end plate 79302 or 79322 to the free track ends (fig. 2).
- Implement connection to the single phase mains supply and DALI control lines according to the connection inscriptions in the connector.
- Fuse protection with max. 16A
- Do not connect the track so that a closed circuit of DALI control lines is created. This may disrupt transmission of the DALI signal. To prevent this, the DALI lines can be separated within a connector.

**Cleaning**

Always clean carefully using a soft cloth and a commercially available, ph-neutral, alcohol-free, non-abrasive cleaning agent.